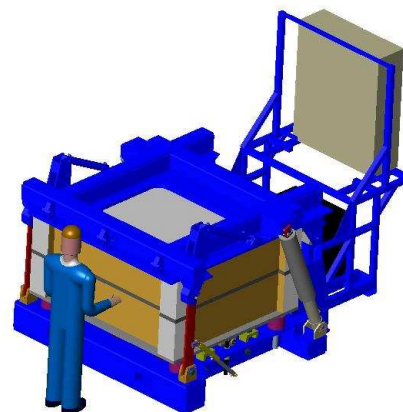


PRESSES & MOULD-CLAMPS

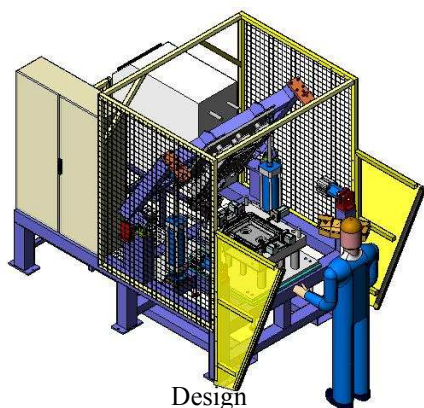
For more than 20 years, LED has been your partner for the maintenance and production of polyurethane machines. LED has always provided the highest quality services and excellent value for money.

Now LED is extending its service with an offer to study and manufacture presses and mould-clamps for polyurethane foam injection.

Our strengths: Price, quality, customized design, technical support and meeting deadlines.



Hydraulic press 35 tonnes



Design



Manufacture

Pneumatic press 10 tonnes

Don't hesitate to contact us for all your requirements

Tel : +33 (0)3 82 26 00 10
 Email : led.longwy@wanadoo.fr
 LED route d'Hussigny

Fax : +33 (0)3 82 26 00 16
 Internet : <http://www.led-longauto.com>
 54920 VILLERS LA MONTAGNE FRANCE